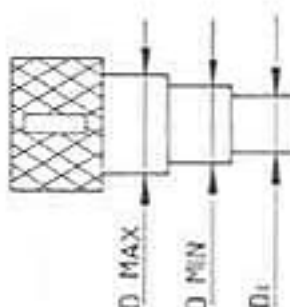


CIAO CLAMP

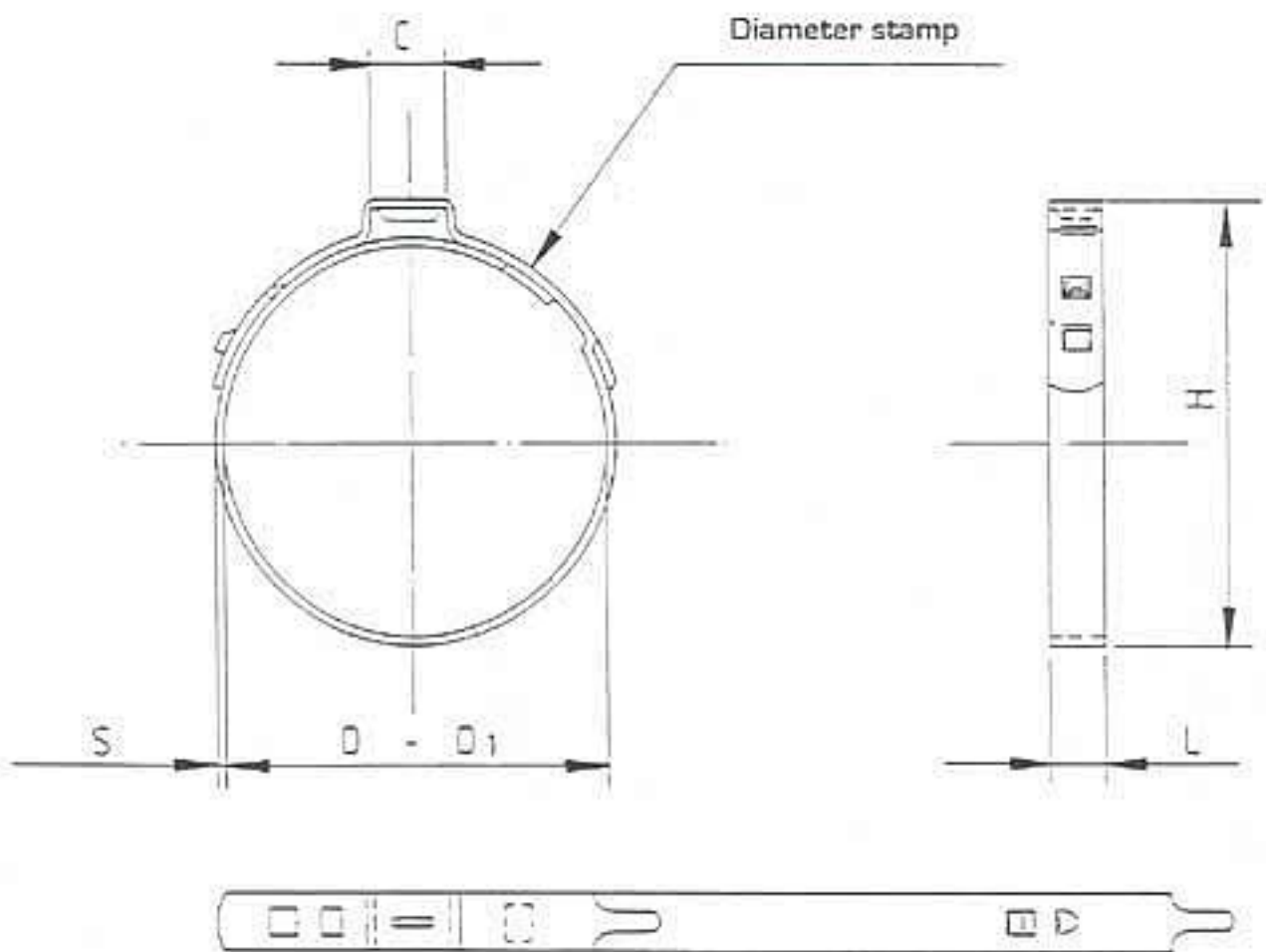
CODE	GIVEN DIAMETER	D OPEN ± 0.6	D1 CLOSED	H MAX	L ± 0.25	C ± 0.5	S ± 0.05
337-0087	8.7	8.7	7.0	12.08	5	5.5	0.5
337-0095	9.5	9.5	7.8	13.7	5	5.5	0.5
337-0105	10.5	10.5	8.8	14.7	5	5.5	0.5
337-0113	11.3	11.3	9.6	15.5	5	5.5	0.5
337-0123	12.3	12.3	9.8	16.8	7	8	0.6
337-0133	13.3	13.3	10.8	17.9	7	8	0.6
337-0138	13.8	13.8	11.3	18.3	7	8	0.6
337-0140	14.0	14.0	11.5	18.5	7	8	0.6
337-0145	14.5	14.5	12.0	19.0	7	8	0.6
337-0153	15.3	15.3	12.8	19.8	7	8	0.6
337-0157	15.7	15.7	13.2	20.2	7	8	0.6
337-0162	16.2	16.2	13.7	20.7	7	8	0.6
337-0170	17.0	17.0	14.5	21.5	6	8	0.6
337-0171	17.0	17.0	14.5	21.5	7	8	0.6
337-0185	18.5	18.5	15.3	23.1	7	10	0.7
337-0198	19.8	19.8	16.6	24.4	7	10	0.7
337-0210	21.0	21.0	17.8	25.6	7	10	0.7
337-0226	22.6	22.6	19.4	27.2	7	10	0.7
337-0235	23.5	23.5	20.3	27.3	7	10	0.7
337-0241	24.1	24.1	20.9	28.7	7	10	0.7
337-0256	25.6	25.6	22.4	30.2	7	10	0.7
337-0271	27.1	27.1	23.9	31.7	7	10	0.7
337-0286	28.6	28.6	25.4	33.2	7	10	0.7
337-0308	30.8	30.8	27.6	35.4	7	10	0.7
337-0346	34.6	34.6	31.4	39.2	7	10	0.7
337-0361	36.1	36.1	32.9	40.7	7	10	0.7
337-0455	45.5	45.5	42.3	50.1	7	10	0.7
337-0470	47.0	47.0	43.6	51.6	7	10	0.7
337-0515	51.5	51.5	48.3	56.1	7	10	0.7
337-0530	53.0	53.0	49.8	57.6	7	10	0.7
337-0545	54.5	54.5	51.3	59.1	7	10	0.7
337-0560	56.0	56.0	52.8	60.6	7	10	0.7
337-0605	60.5	60.5	57.3	65.1	7	10	0.7
337-0665	66.5	66.5	63.3	71.1	7	10	0.7
337-0695	69.5	69.5	66.3	74.1	7	10	0.7
337-0710	71.0	71.0	67.8	75.6	7	10	0.7
337-0725	72.5	72.5	69.3	77.1	7	10	0.7
337-0770	77.0	77.0	73.8	81.6	7	10	0.7
337-0785	78.5	78.5	75.3	83.1	7	10	0.7
337-0860	86.0	86.0	82.8	90.6	7	10	0.7
337-0905	90.5	90.5	87.3	95.1	7	10	0.7
337-0965	96.5	96.5	93.5	101.1	7	10	0.7
337-1010	101.0	101.0	97.8	105.6	7	10	0.7

CONTROL GAUGE

- D MAX - Dia Max size open - Open clamp must pass over
- D MIN - Dia Min size open - Ideal working state
- D1 - Dia Closed - Must not pass over in free state



CIAO CLAMP



MATERIAL: Stainless Steel Band AISI 304